

TOW-PRO® SERIES

TRAILER MOUNTED BOOM LIFTS



Performance

| | | |
|----------------------------------|----------------------------|----------|
| Platform Height | | |
| T350 | 34 ft 5 in. | 10.5 m |
| T500J | 50 ft 9.5 in. | 15.3 m |
| Horizontal Outreach | | |
| Working Outreach | | |
| T350 | 20 ft 2 in. | 6.15 m |
| T500J | 31 ft 6 in. | 9.6 m |
| Centerline to Platform Edge | | |
| T350 | 18 ft 9.5 in. | 5.7 m |
| T500J | 29 ft 6 in. | 9 m |
| From Outrigger Pad Edge | | |
| T350 | 13 ft 6 in. | 4.11 m |
| T500J | 23 ft 5 in. | 7.14 m |
| Up and Over Height | | |
| T350 | 15 ft | 4.57 m |
| T500J | 18 ft | 5.49 m |
| Swing | | |
| | 410 Degrees Non-Continuous | |
| Platform Capacity | | |
| | 500 lb | 227 kg |
| Platform Capacity w/Rotator | | |
| | 440 lb | 200 kg |
| Material Hook Capacity | | |
| | 500 lb | 227 kg |
| Platform Rotator (Optional) | | |
| | 90 Degrees Manual | |
| Jib Length (T500J only) | | |
| | 4 ft | 1.22 m |
| Jib Vertical Motion (T500J only) | | |
| | 130 degrees (+75, -55) | |
| Weight | | |
| T350 | 3,400 lb | 1,542 kg |
| T500J | 4,800 lb | 2,177 kg |
| Leveling Capability | | |
| | 11 Degrees | |
| Towing Speed Rating | | |
| | 65 mph | 105 kmph |
| Tongue Weight | | |
| T350 | 242 lb | 110 kg |
| T500J | 350 lb | 159 kg |

Standard Specifications

Power Source

| | |
|----------------------------|-------------------|
| DC Power | 24V DC |
| Batteries | 4 x 6V 220 amp-hr |
| Gasoline Engine (Optional) | Honda GX 270—9 hp |

Tires

- T350 205/75 R14 Pneumatic
- T500 225/75 R15 Pneumatic

Standard Features

- Telescopic Upper Boom
- 4 ft (1.22 m) Jib (T500J Only)
- Platform, Side Entry: 30 x 48 in. (0.76 x 1.22 m)
- Proportional Controls
- 110V-AC Receptacle in the Platform
- Auto-Leveling Hydraulic Outriggers
- Motion Alarm
- Tilt Alarm/Indicator Light
- Hourmeter
- Four 6V 220 Amp-Hour Batteries
- Battery Condition Indicator
- Parking Brake
- 2 in. Hitch with Adjustable Height Coupler
- Standard Air and Water Lines to Platform



Accessories & Options

- Platform Rotator
- Material Hook — 500 lb (227 kg) Capacity
- Drive and Outrigger Set
- Platform Mounted Glass/Panel Tray
- Non-Marking Outrigger Pads
- Full-Size Spare Tire
- Flashing Amber Beacon
- 3000 Watt Honda Generator

TOW-PRO® SERIES

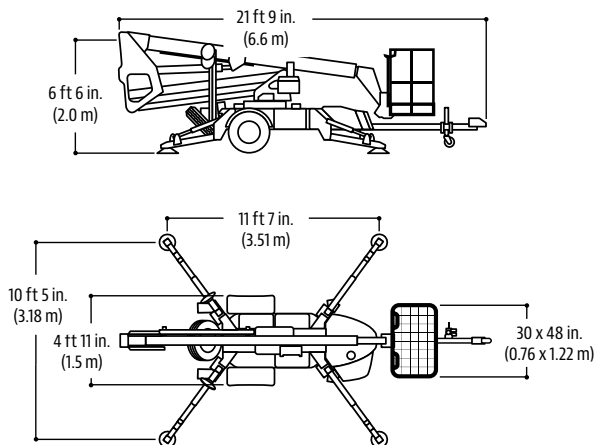
TRAILER MOUNTED BOOM LIFTS



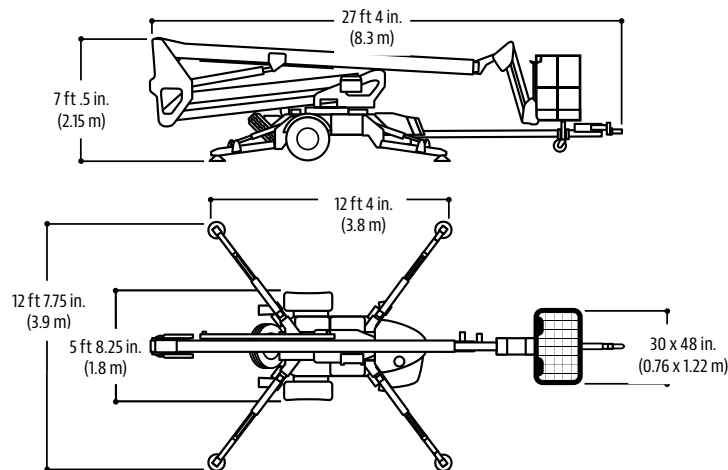
Dimensions

All dimensions are approximate.

T350

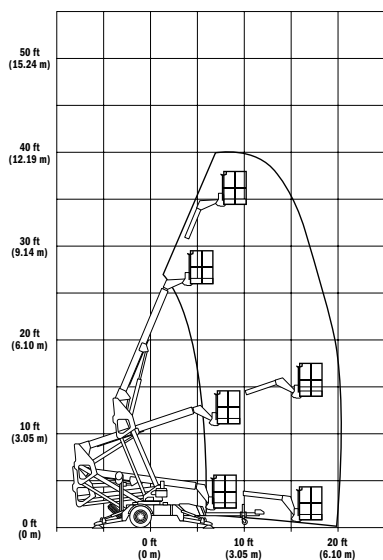


T500J

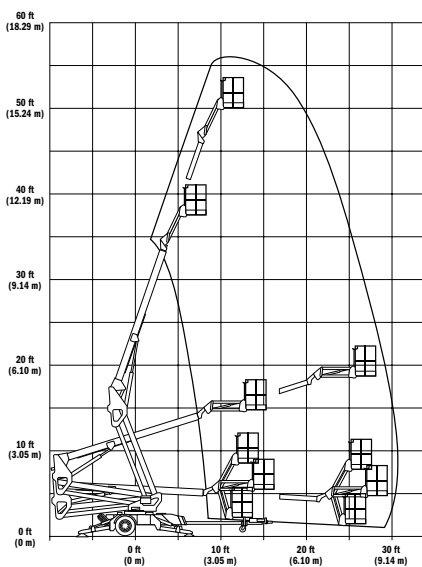


Reach Dimensions

T350



T500J



EAZI ACCESS

086 100 3294 | www.eazi.co.za

RENTAL | SALES | SERVICE | TRAINING

The JLG "1 & 5" Warranty

JLG Industries, Inc. backs its products with its exclusive "1 & 5" Warranty. We provide coverage on all products for one (1) full year, and cover all specified major structural components for five (5) years. Due to continuous product improvements, we reserve the right to make specification and/or equipment changes without prior notification. This machine meets or exceeds applicable OSHA Regulations in 29 CFR 1910.67, 29 CFR 1926.453, ANSI A92.5-2006, and CSA Standard CAN3-B354.2-M82, as originally manufactured for intended applications.

Part No.: 3133001
 R071407
 Printed in USA



JLG Industries, Inc.

1 JLG Drive
 McCConnellsburg, PA 17233-9533
 Telephone 717-485-5161
 Toll-free in US 877-JLG-LIFT
 Fax 717-485-6417
www.jlg.com

An Oshkosh Corporation Company