

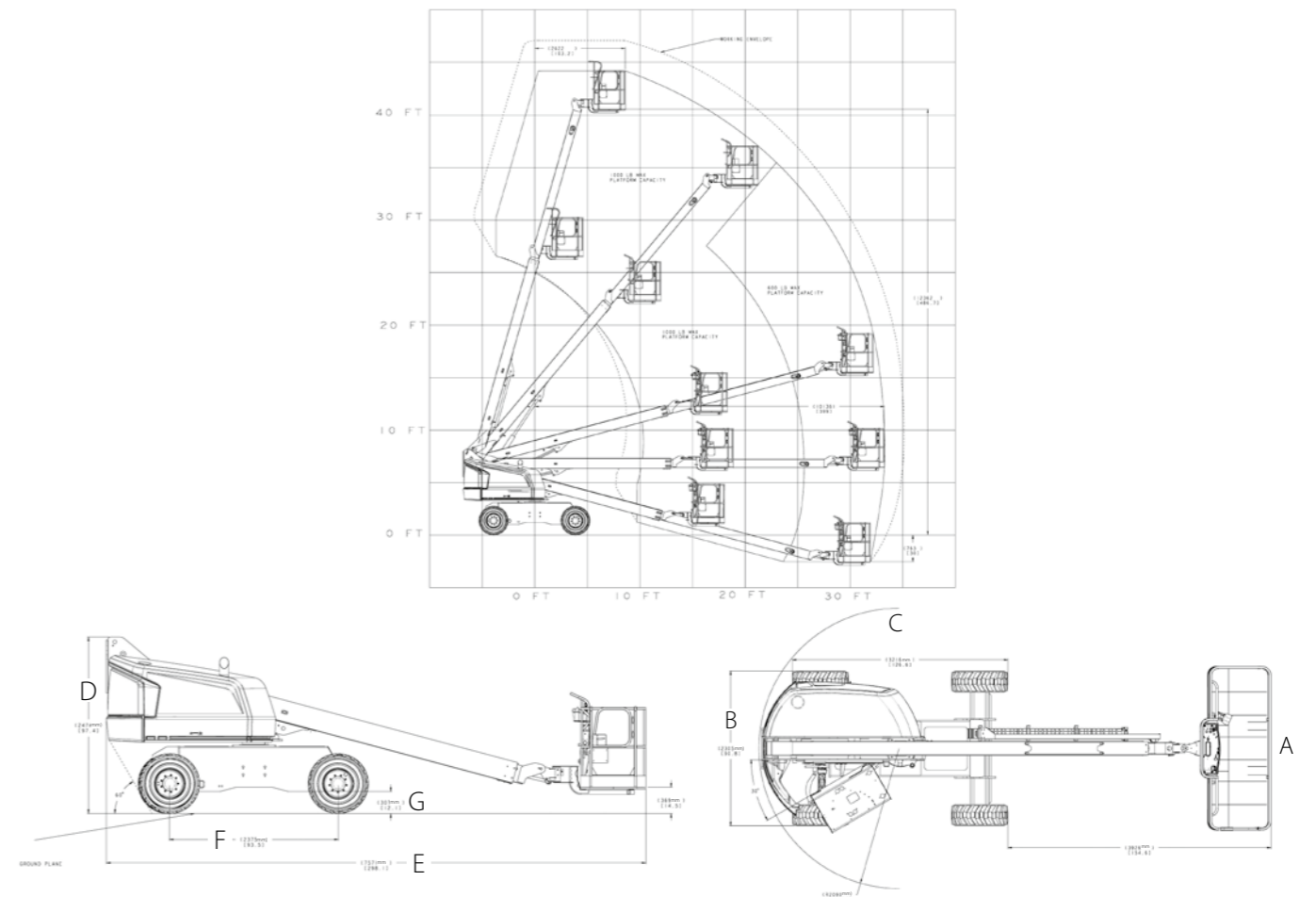
	400S	460SJ
Working Height	14.36 m	16.09 m
Platform Height	12.19 m	14.02 m
Horizontal Reach	10.13 m	12.07 m
Working Outreach *	10.78 m*	12.72 m*
Swing (Continuous)	360°	360°
Platform Capacity - Restricted	450 kg	N/A
Platform Capacity - Unrestricted	270 kg	270 kg
Platform Rotator (Hydraulic)	180°	180°
Jib - Overall Length	—	1.83 m
Jib - Range of articulation	—	130° (+70°/-60°)
A. Platform Size	0.91 m x 1.83 m	0.91 m x 1.83 m
B. Overall Width	2.31 m	2.31 m
C. Tailswing (working condition)	0.86 m	0.86 m
D. Stowed Height	2.47 m	2.47 m
E. Stowed Length	7.57 m	8.91 m
F. Wheelbase	2.37 m	2.37 m
G. Ground Clearance	0.30 m	0.30 m
Machine weight ¹	6,680 kg	7,975 kg
Maximum Ground Bearing Pressure	4.08 kg/cm ²	4.85 kg/cm ²
Maximum Tyre Load	3,266 kg	4,082 kg
Drive Speed 4WD	7.2 km/h	7.2 km/h
Gradeability 4WD	45%	45%
Tyres	12 x 16.5 Foam Filled	12 x 16.5 Foam Filled
Axle Oscillation (optional)	0.20 m	0.20 m
Turning Radius - Inside	2.0 m	2.0 m
Turning Radius - Outside	4.84 m	4.84 m
Diesel Engine Deutz D2.3 L3	36.4 kW	36.4 kW
Fuel Tank Capacity	83 L	83 L
Hydraulic System	136 L	136 L
Auxiliary Power	12V DC	12V DC



* Working outreach is horizontal outreach plus 65cm.
¹ Certain options or country standards may increase weight and/or dimensions.



JLG Model 400S



JLG Model 460SJ

