

Model 2505H TELEHANDLER



Performance

Rated Capacity	2,500 kg
Maximum Lift Height	5.6 m
Load at Max Height	2,000 kg
Maximum Forward Reach	3.3 m
Load at Max Reach	800 kg
Lift Speed (boom retracted)	
Up	6.6 sec
Down	8.2 sec
Boom Speed (extended/retracted)	
Extended	6.7 sec
Retracted	3.5 sec
Top Travel Speed	24 km/h
Outside Turning Radius	3.2 m
Operating Weight (no attachment)	5010 kg

Standard Specifications

Engine

Make and Model	Deutz TD 2.9 L L4 - Stage IIIB
No. of Cylinders	4
Displacement	2.9 L
Standard engine gross power	55 kW
Maximum Torque @ 1800 rpm	260 Nm
Fuel Tank Capacity	91 L

Transmission

- 1 speed FWD/REV Hydrostatic
- 4-Wheel drive

Axles

- High bias limited slip differential on front axle.
- Planetary on front and rear axles.

Brakes

- Service brakes are inboard wet disc brakes on front axle
- Parking brake external disc and calliper on input shaft of front axle

Tyres

• Standard	12 x 16.5 Pneumatic
• Optional	12 x 16.5 Foam-Filled
	14 x 17.5 Foam-Filled
	14 x 17.5 Pneumatic
	10.5 x 18 AG Pneumatic

Cab

- EROPS and FOPS fully glazed all weather cab
- 2 way adjustable mechanical suspension seat

Steering 4-Wheel

- Power steering with steering wheel spinner
- Two wheel/four wheel/crab steer with rear wheel assisted alignment

Instruments

- Hourmeter
- Steering mode
- Engine coolant temperature
- Fuel gauge
- Alternator gauge dicators, including fault codes
- Parking brake indicator
- Travel speed
- Engine speed
- Vehicle and engine system

Hydraulic System-Implement

Capacity	60.5 L
• Single-section gear pump	• Maximum pump flow is 72.3 L/min
• Auxiliary hydraulics used for all attachments equipped with cylinders or other hydraulic components	

Accessories & Options

- Brick Guard
- Air Conditioning
- Block Heater
- Hydraulic Quick Switch
- Rear Auxiliary Hydraulics
- Universal Skid Steer Coupler
- Boom brushes
- Tow Hitch w/automatic pin & trailer plug
- Pre-cleaner
- Battery Disconnect Switch
- Road Light Package
- Work Light Package
- Skylight/Rear Wiper Package
- Radio Ready Kit
- Tow Hitch w/trailer plug
- Reversing fan
- Molded Floor Mat
- Fenders

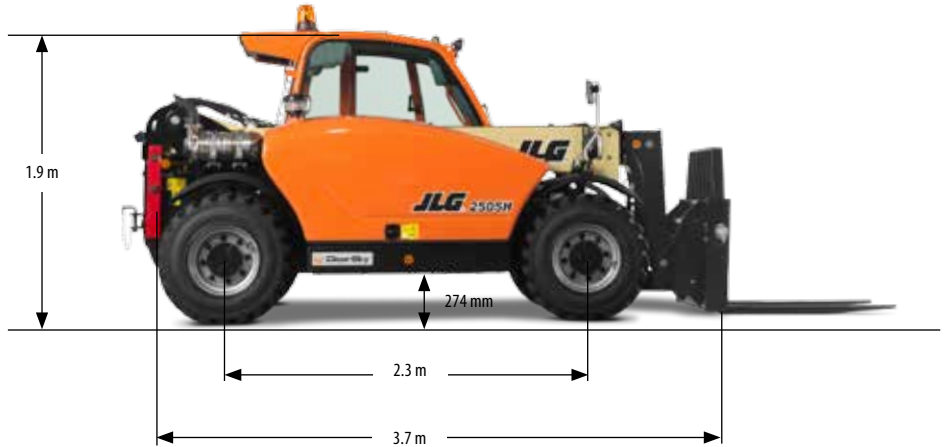
Attachments

Standard Carriage	1.3 m
Side-Tilt Carriage	1.2 m
Pallet Forks	51 mm x 102 mm x 1.2 m
Lumber Forks	38 mm x 152 mm x 1.5 m
Cubing Forks	51 mm x 51 mm x 1.2 m
General Purpose Bucket	1.85 m, 0.76 m ³
Light Material Bucket	1.8 m, 1.29 m ³
Grapple Bucket	1.8 m, 0.76 m ³
Lifting Hook	

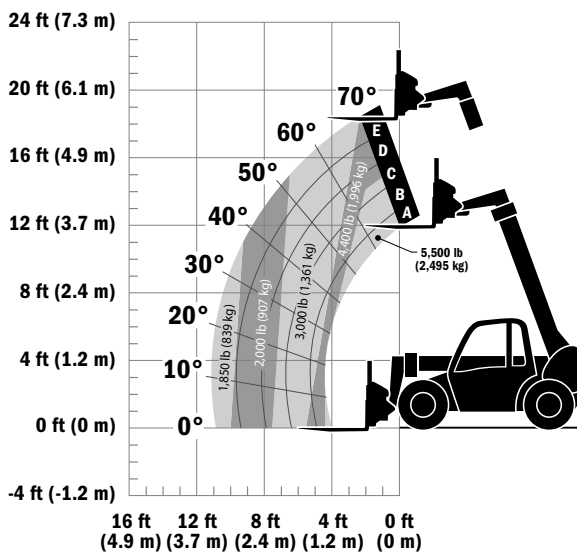
Model 2505H TELEHANDLER

Dimensions

All dimensions are approximate.



Load Chart and Dimensions



IMPORTANT

Rated lift capacities shown are with machine equipped with carriage and pallet forks. The machine must be level on a firm surface with undamaged, properly inflated tyres. Machine specifications and stability are based on rated lift capacities at specific boom angles and boom lengths. (If specifications are critical, the proposed application should be discussed with your dealer.) DO NOT exceed rated lift capacity loads, as unstable and dangerous machine conditions will result. DO NOT tip the machine forward to determine the allowable load.

Use only JLG approved attachments with proper material handler model/attachment load capacity charts displayed in the operator's cab.

Due to continuous product improvements, JLG Industries reserves the right to make specification and/or equipment changes without prior notification.



JLG Industries, Inc.

Polaris Avenue 63
2132 JH Hoofddorp
The Netherlands
Tel: +31 (0)23 565 5665
Fax: +31 (0)23 557 3750
www.jlgeurope.com

An Oshkosh Corporation Company