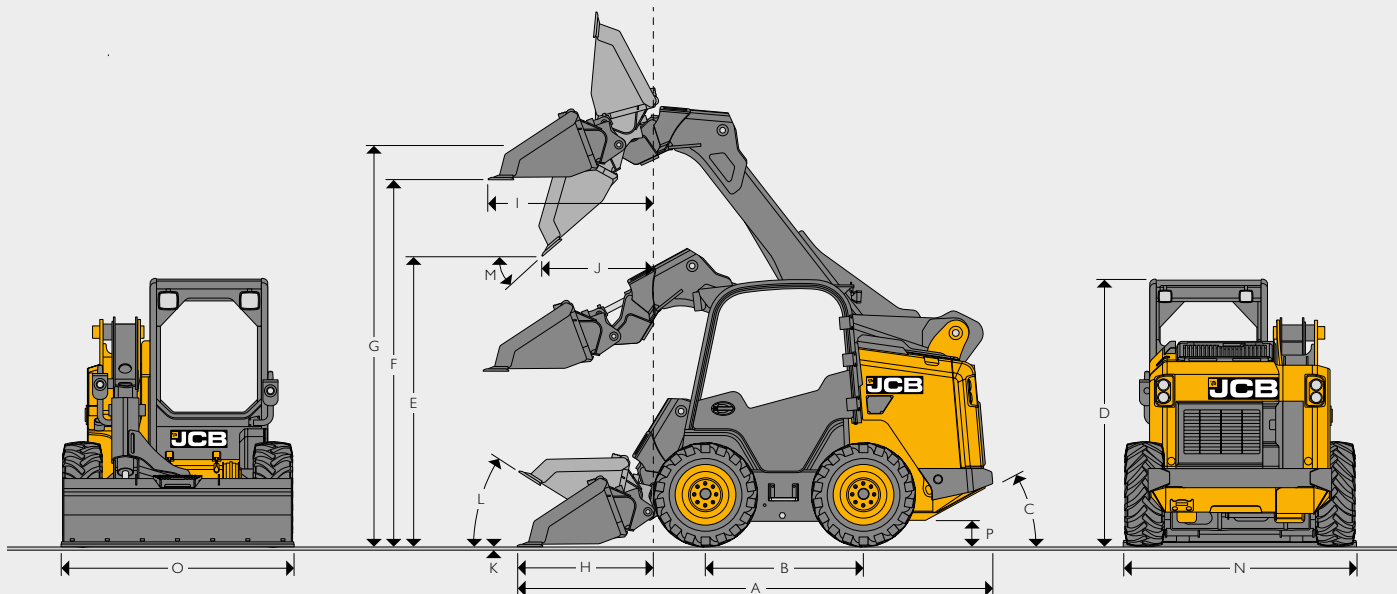


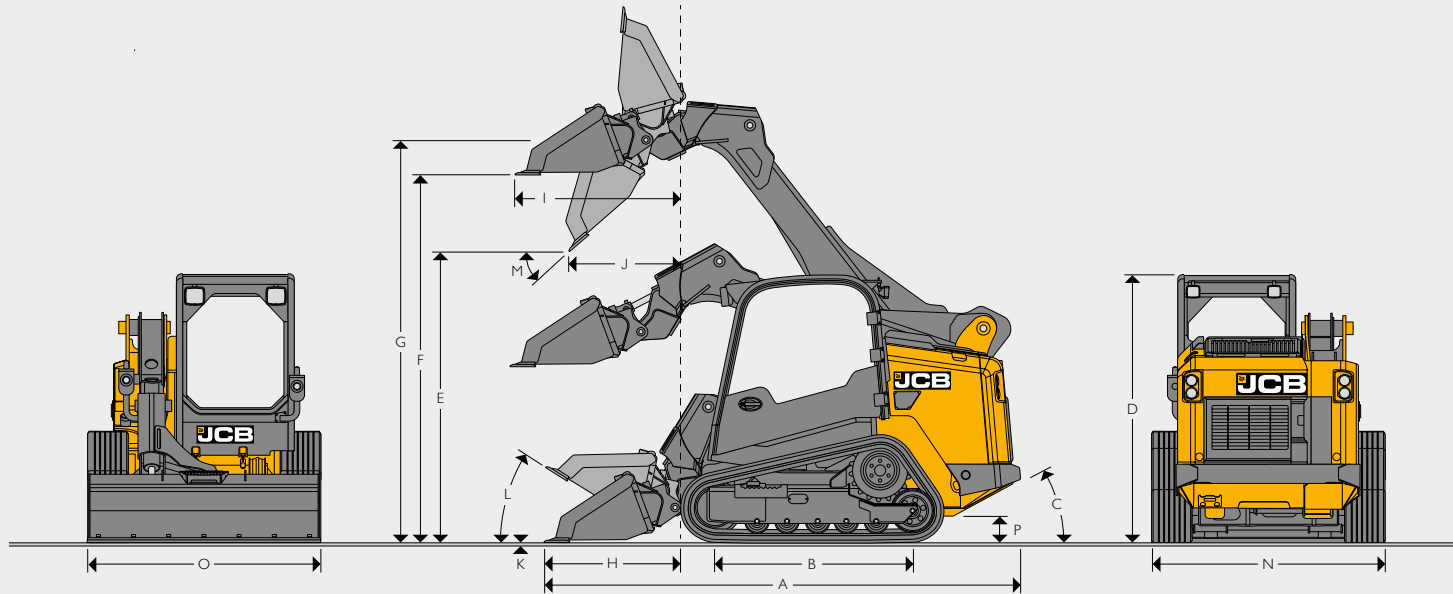
STATIC DIMENSIONS – SKID STEER LOADER



STATIC DIMENSIONS – SKID STEER LOADER

		SMALL PLATFORM					LARGE PLATFORM			
Machine model		135	155	175	190	205	250	270	300	330
A	Overall length	m	3.49	3.49	3.49	3.49	3.80	3.80	3.80	3.80
B	Wheelbase	m	1.07	1.07	1.07	1.07	1.25	1.25	1.25	1.25
C	Angle of departure	degrees	25°	25°	25°	25°	29°	29°	29°	29°
D	Overall height	m	1.98	1.98	1.98	1.98	2.10	2.10	2.10	2.125
E	Dump height	m	2.26	2.26	2.26	2.26	2.30	2.30	2.30	2.35
F	Loadover height	m	2.84	2.84	2.84	2.84	2.90	2.90	2.90	2.925
G	Pin height	m	3.00	3.00	3.00	3.00	3.20	3.20	3.20	3.225
H	Reach @ ground level	m	1.00	1.00	1.00	1.00	1.10	1.10	1.10	1.075
I	Max. reach @ full height	m	0.91	0.91	1.21	1.21	1.00	1.30	1.30	1.275
J	Reach @ full height – fully dumped	m	0.56	0.56	0.86	0.86	0.60	0.90	0.90	0.875
K	Dig depth clearance	mm	-10.00	-10.00	-10.00	-10.00	-10.00	-10.00	-10.00	-10.00
L	Rollback @ ground	degrees	30°	30°	30°	30°	30°	30°	30°	30°
M	Dump angle	degrees	42°	42°	42°	42°	42°	42°	42°	42°
N	Width over tyres – standard	m	1.52	1.52	1.52	1.52	1.80	1.80	1.80	1.80
O	Bucket width – standard	m	1.68	1.68	1.68	1.68	1.90	1.90	1.90	1.90
	Bucket capacity – standard	m <sup>3</sup>	0.36	0.36	0.36	0.36	0.43	0.43	0.43	0.43
<b>Turning radius</b>										
	Bucket corner radius	m	2.09	2.09	2.09	2.09	2.30	2.30	2.30	2.30
	Quick hitch radius	m	1.14	1.14	1.14	1.14	1.50	1.50	1.50	1.50
	Rear chassis radius	m	1.65	1.65	1.65	1.65	1.76	1.76	1.76	1.76
P	Ground clearance	mm	210	210	210	210	250	250	250	300 (R17.5 Tyres)
<b>Lift path</b>			Radial	Radial	Vertical	Vertical	Vertical	Radial	Vertical	Vertical

## STATIC DIMENSIONS – COMPACT TRACK LOADER



## STATIC DIMENSIONS – COMPACT TRACK LOADER

		LARGE PLATFORM		
Machine model		250T	270T	300T
A	Overall length	m	3.80	3.80
B	Wheelbase	m	2.10	2.10
C	Angle of departure	degrees	29°	29°
D	Overall height	m	2.08	2.08
E	Dump height	m	2.28	2.28
F	Loadover height	m	2.88	2.88
G	Pin height	m	3.18	3.18
H	Reach @ ground level	m	1.10	1.10
I	Max. reach @ full height	m	1.00	1.30
J	Reach @ full height – fully dumped	m	0.60	0.90
K	Dig depth clearance	mm	-10.00	-10.00
L	Rollback @ ground	degrees	30°	30°
M	Dump angle	degrees	42°	42°
N	Width over tyres – standard	m	1.90	1.90
O	Bucket width – standard	m	1.90	1.90
	Bucket capacity – standard	m <sup>3</sup>	0.43	0.43
<b>Turning radius</b>				
	Bucket corner radius	m	2.30	2.30
	Quick hitch radius	m	1.70	1.70
	Rear chassis radius	m	1.76	1.76
	Ground clearance	mm	230	230
<b>Lift path</b>				
			Radial	Vertical

## HYDRAULIC PERFORMANCE - SKID STEER

Machine model		SMALL PLATFORM					LARGE PLATFORM			
		135	155	175	190	205	250	270	300	330
Rated operating capacity (ROC) 50%	kg	612	703	795	862	930	1146	1235	1361	1495
Tipping load	kg	1356	1406	1590	1724	1860	2226	2471	2722	2989
Loader lift capacity with shovel	kg	1440	1770	1570	1570	1570	2669	2747	2747	2747
Bucket tilt breakout force	kgf	1820	1820	2140	2140	2140	2968	2968	2968	2968

## HYDRAULIC PERFORMANCE - COMPACT TRACK LOADER

Machine model		LARGE PLATFORM		
		250T	270T	300T
Rated operating capacity (ROC) 35% (no counterweight)	kg	1146	1235	1361
Rated operating capacity (ROC) 50% (no counterweight)	kg	1751	1765	1945
ROC with full counterweight 35%	kg	N/A	N/A	1452
Tipping load – no counterweight	kg	2915	3829	3889
Tipping load – full counterweight	kg	N/A	N/A	4148
Loader lift capacity with shovel	kg	2528	2634	2634
Bucket tilt breakout force	kgf	2968	2968	2968

\*300T available with full width rear counterweight

## HYDRAULICS - SMALL PLATFORM AND LARGE PLATFORM

In addition to the main hydrostatic drive pumps, there is a dedicated service pump for the loader and attachments (auxiliary hydraulics circuit standard flow on all base models).

Standard flow	135/155/175/190/205	250/270/300/330/250T/270T/300T
		70 lpm @ 2730 rpm engine speed Main relief pressure 230 bar HYD Power Low Flow (36.0 hp)*
Optional auxiliary high flow	135/155/175/190/205	250/270/250T/270T
	100 liters/min HYD Power High Flow (51.4 hp)*	120 liters/min HYD Power High Flow (61.7 hp)*
Optional auxiliary high flow	–	300/330/300T
	–	125 liters/min HYD Power High Flow (64.2 hp)*

- Low joystick lever efforts give excellent and easy control of transmission, loader and attachments.
- Auxiliary hydraulics are actuated on the joystick roller giving progressive control of hydraulic fluid flow for precise attachment control.
- Loader arm hydraulic lines under protective steel guard on PowerBoom™.
- Canister style, full flow, hydraulic oil filter.
- JCB engine oil for engine and chain case.
- JCB hydraulic oil.

\*Calculated

## CAPACITIES

	SMALL PLATFORM	LARGE PLATFORM
Hydraulic system (including tank)	43.5	55
Fuel tank (radial / vertical lift)	98 / 92	103.3
Engine coolant	10	22
Engine oil min/max.	5.5 / 7.4	12 / 15
LH Chaincase (wheeled machines only)	19	23.3
RH Chaincase (wheeled machines only)	19	23.3

## TRANSMISSION

A full electro-hydraulic controlled hydrostatic transmission giving zero to maximum speed, both forward and reverse at full power. Hydraulic power management system maintains full engine power availability maximising loader and attachment control.

Model		Single Speed	Two Speed
Travel speeds 135/190/155/175/205	kmh	12.0	12.0 / 18.5
Travel speeds 250/270/300/330	kmh	10.9	10.9 / 20.0
Travel speeds 250T/270T/300T	kmh	9.2	7.7 / 12.5

## OPERATING WEIGHT (KG)

Fully operational with quick hitch, standard bucket, full fuel tank, open canopy and 75kg operator.

135	155	175	190	205	250	270	300	330	250T	270T	300T
2791	2955	3093	3104	3169	3692	3903	4044	4365	4746	4959	5038

ENGINE		SMALL PLATFORM		LARGE PLATFORM	
		135	155/175/190/205	250/270/250T/270T	300/330/300T
Model		Perkins 404D-22	Perkins 404D-22T	JCB Dieselmex TC-55	JCB Dieselmex TC-68
Displacement	cm <sup>3</sup>	134 (2,200)	134 (2,200)	268 (4399)	268 (4399)
Fuel		Diesel	Diesel	Diesel	Diesel
Cooling		Liquid	Liquid	Liquid	Liquid
Aspiration		Naturally Aspirated	Turbo Charged	Turbo	Turbo
<b>Gross power @ 2800 rpm</b>					
SAE J1995	kW (hp)	35.7 (47.9)	44.7 (59.9)	55 (74)	68.6 (92)
<b>Gross torque @ 1200 rpm</b>					
SAE J1995	Nm	105 (143)	139 (189)	267 (362)	301 (408)
Starter motor	kW (hp)	2 (2.72)	2 (2.72)	2 (2.72)	2 (2.72)
Battery	V/Ah	12/109	12/101	12/109	12 / 109
Alternator	amps	65	85	95	95
Emission certification		T3	T3	T3	T3
Engine oil service interval hours		500	500	500	500
Variable speed hydraulically driven fan		YES	YES	YES	YES

TYRES / TRACKS		STANDARD EQUIPMENT - ALL MODELS
TYRES	TRACKS	
<b>Standard – 135/155/175/190/205</b> 10 x 16.5 – 8 PR Xtra Wall Off Road	<b>250T/270T/300T</b> 400 mm wide traction lug  <b>Available track options</b> 450 mm wide traction lug	Isolation mounted canopy. ROPS and FOPS. Restraint activated safety system. Arm rest lapbar safety feature. Centrifugal dry type engine air filter with safety element. Mechanical quick hitch. Electronic hand throttle. Two front and one rear work light. Emergency lower valve. Fuel gauge. Hydraulic park brake. Standard flow auxiliary hydraulics. Three way joysticks. Rear service access door. Tilting cab. Static seat in wheeled models. Mechanical suspension seat in tracked models. Float. Pod storage area. Cup holder. Power socket. Rear view mirror. Interior light. Battery isolator.
<b>Standard – 250/270/300</b> 12 x 16.5 – 10 PR Xtra Wall Off Road		
<b>Standard – 330</b> 14 x 17.5 – 12 PR Xtra Wall Off Road		
<b>135 / 155 / 175 / 190 / 205 Available tyre options</b> 10 x 16.5 – 10 PR All Terrain 10 x 16.5 – 10 PR Lifemaster Industrial 10 x 16.5 – Reinforced 2 Steel Crown, 3 Metal Shoulders Bibsteel All Terrain 7 x 15 – 14 PR Extra Duty Plus Industrial 30 x 7.6 – 15 Solid no Aperture Extreme Industrial 31 x 10 – 18 Solid with Aperture Brawler Heavy Duty 33 x 10 – 20 Solid with Aperture Slick Heavy Duty		<b>OPTIONAL EQUIPMENT - ALL MODELS</b> Sealed and pressurised cab with heater/defroster. Air conditioning. Mechanical and air suspension seats. Road lights. Beacon. Foot throttle. Fire extinguisher. Toolkit. Self levelling. Level 2 FOPS guard. Heavy-duty rear door guard. Front screen guard. High Flow auxiliary hydraulics. Spark arrester. Tooth guard. Powered quick hitch. Smooth Ride System. Polycarbonate screen. Radio. Twine cutter (wheeled units only). Three inch seat belt. Creep speed. ISO/H pattern changeover. Fenders. Reversing fan. Pre-cleaner.
<b>250 / 270 / 300 / 330 Available tyre options</b> 7.6 x 15 Solid Industrial Slick 11 x 16.5 – 12 PR Xtra Wall Off Road 12 x 16.5 – 10PR Off Road 12 x 16.5 – Reinforced 2 Steel Crown, 3 Metal Shoulders Bibsteel All Terrain 15.5 x 16.5 – 14 PR Off Road Flotation 33 x 11 – 20 Solid with Aperture Brawler Heavy Duty Off Road 36 x 22 – 20 Solid with Aperture Brawler Heavy Duty Off Road 32 x 8.5 – 16 Solid with Aperture Heavy Duty Off Road 33 x 10 – 20 Solid with Aperture Slick Heavy Duty Off Road		<b>OPERATOR ENVIRONMENT - ALL MODELS</b> Full ROPS and Level 1 FOPS with optional Level 2 FOPS guard for demolition, full visual and audible warning system. Soundproofing gives noise levels complying with EC regulations. Cab access through side door due to JCB's PowerBoom™ design. <ul style="list-style-type: none"> <li>• Deluxe environment available in either open canopy, cab with heat, or cab with heat and A/C.</li> <li>• Unequaled all-round visibility.</li> <li>• Fully adjustable seat.</li> <li>• Retractable seat belt fitted as standard.</li> <li>• Full servo control with either standard (3-way) joysticks or optional JCB multi-function (7-way) joysticks.</li> </ul>
For arduous conditions and hostile environments solid tyres are recommended.		<b>LIGHTING AND ELECTRICS</b> 12 V, negative ground system 1,000 cold cranking amp (CCA) battery <b>135/155/175/190/205</b> 100 amp alternator and electronic throttle <b>250/270/300/250T/270T/300T</b> 95 amp alternator  Also incorporated into the instrument panel, is a warning light cluster which also has visual and/or audible alarms for: Low charge pressure, engine water temperature, blocked air filter pressure, engine oil pressure, alternator voltage. Cab mounted fuse and relay box designed to keep dirt and water out; standard battery disconnect.

CONTROLS - ALL MODELS
JCB servo control (ISO) pattern provides all drive functions on left and loader function on right joystick. The left hand control pod pivots rearwards, providing unparalleled machine entry/exit.