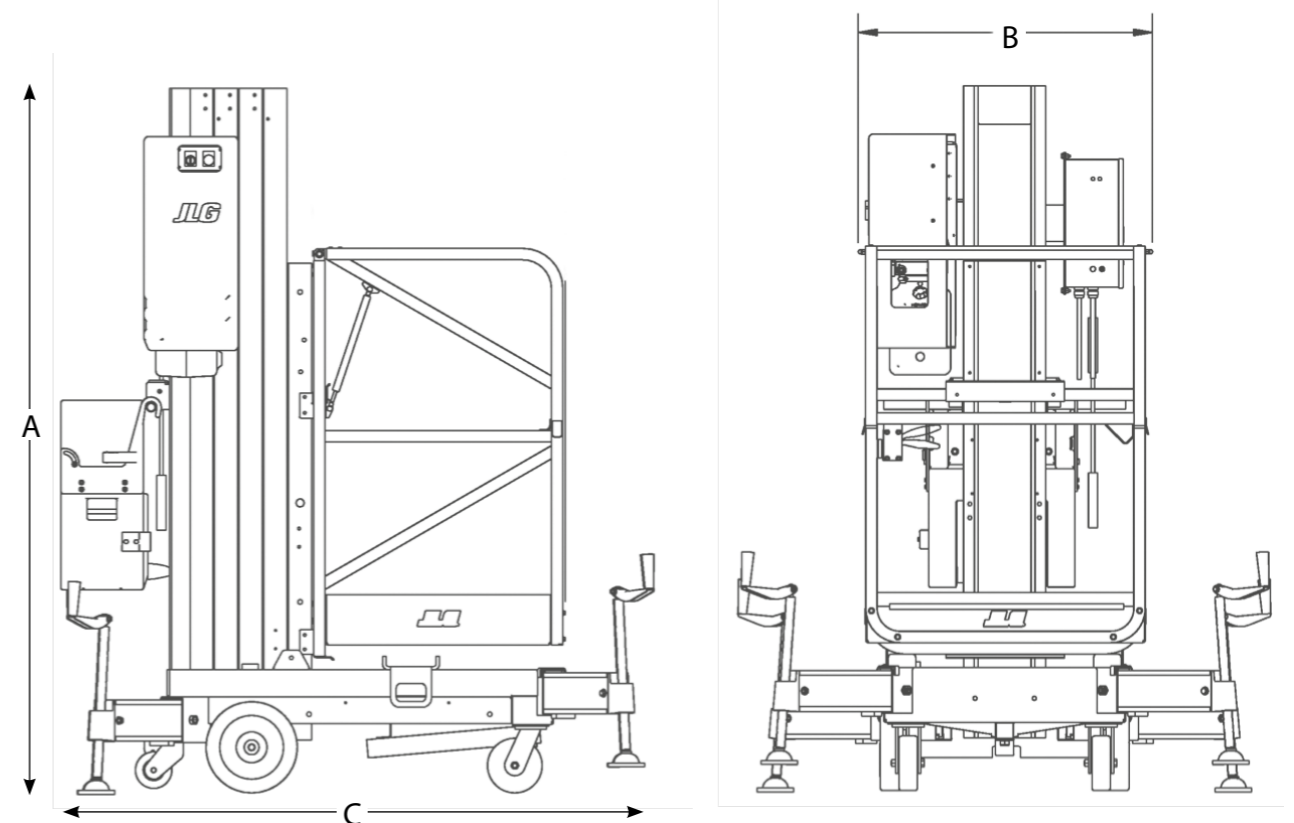
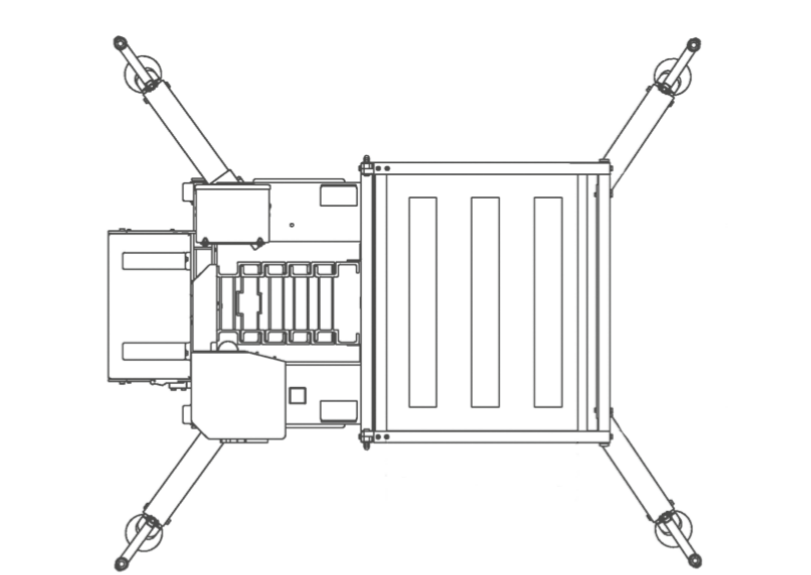


	20AM	25AM	30AM	36AM	41AM
Working Height	8.22 m	9.67 m	11.14 m	13.05 m	14.42 m
Platform Height	6.22 m	7.67 m	9.14 m	11.05 m	12.42 m
Platform Capacity	160 kg	160 kg	135 kg	135 kg	135 kg
Platform Size - Narrow (W x L)	0.56 m x 0.63 m	0.56 m x 0.63 m	0.56 m x 0.63 m	0.56 m x 0.63 m	0.56 m x 0.63 m
Platform Size - Side Entry (W x L)	0.66 m x 0.66 m	0.66 m x 0.66 m	0.66 m x 0.66 m	0.66 m x 0.66 m	0.66 m x 0.66 m
A. Overall Height - Stowed	1.97 m	1.97 m	1.97 m	2.64 m	2.64 m
Overall Height - Tilted Back	—	—	—	1.92 m	1.96 m
B. Base Width - Stowed	0.74 m	0.74 m	0.74 m	0.74 m	0.74 m
C. Base Length - Stowed	1.19 m	1.24 m	1.32 m	1.38 m	1.46 m
Base Length - Without Platform	1.19 m	1.19 m	1.19 m	1.35 m	1.35 m
Overall Length - Tilted Back	—	—	—	2.74 m	2.74 m
Ground Entry Height	0.48 m	0.48 m	0.48 m	0.48 m	0.48 m
Outrigger Footprint Length	1.73 m	1.73 m	1.88 m	2.13 m	2.13 m
Outrigger Footprint Width	1.57 m	1.57 m	1.83 m	2.18 m	2.18 m
Distance to Wall - Front	0.28 m	0.20 m	0.20 m	0.42 m	0.34 m
Distance to Wall - Side	0.44 m	0.44 m	0.60 m	0.75 m	0.75 m
Machine weight - AC *	325 kg	365 kg	395 kg	440 kg	485 kg
Machine weight - DC *	360 kg	395 kg	430 kg	475 kg	520 kg
Rear Wheel Diameter	25 cm	25 cm	25 cm	25 cm <td 25 cm	
Caster Wheel Diameter	15 cm	15 cm	15 cm	15 cm	15 cm

JLG AM Series



* Certain options or country standards may increase weight and/or dimensions.

