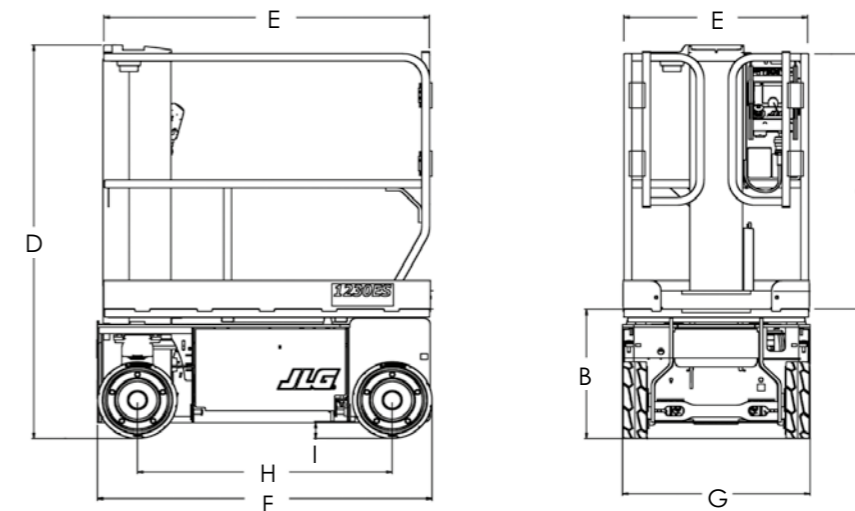
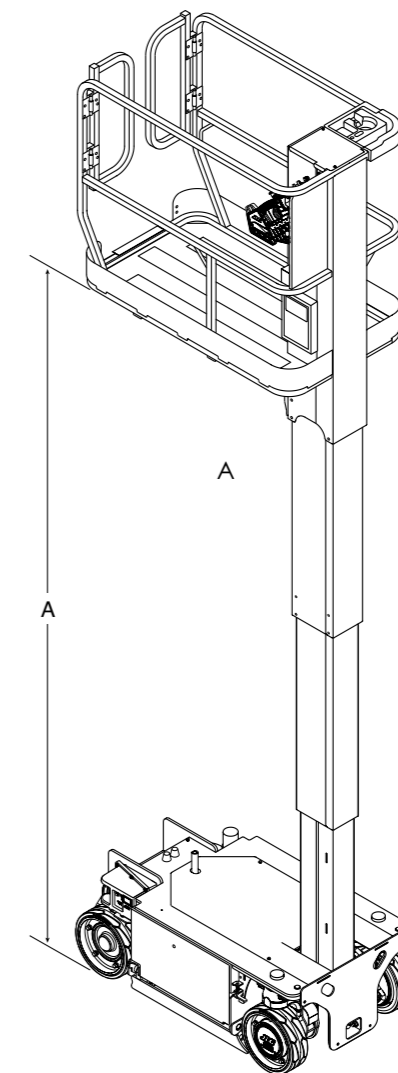


| | 1230ES |
|---------------------------------|--------------------------|
| Working Height | 5.66 m |
| A. Platform Height - Elevated | 3.66 m |
| B. Platform Height - Lowered | 0.52 m |
| C. Platform Rail Height | 1.10 m |
| D. Stowed Height | 1.65 m |
| E. Platform Size (W x L) | 0.69 m x 1.26 m |
| F. Overall Length | 1.36 m |
| G. Overall Width | 0.76 m |
| H. Wheelbase | 1.04 m |
| I. Ground Clearance (Stowed) | 6.5 cm |
| Platform Capacity ¹ | 230 kg |
| Lift / Lower Time | 12 /12 sec. |
| Maximum Drive Height | 3.66 m |
| Weight ² | 790 kg |
| Maximum Ground Bearing Pressure | 8.65 kg/cm ² |
| Drive Speed Lowered | 4.8 km/h |
| Drive Speed Elevated | 0.8 km/h |
| Gradeability | 25% |
| Turning Radius - Inside | 11 cm |
| Turning Radius - Outside | 1.46 m |
| Tyres (Non-Marking Solid) | 323 x 100 |
| Brakes | Automatic Spring Applied |
| Drive | 24V Electric 6 kW |
| Batteries | 4 x 6V 220A/hr |
| Charger (120/240V - 50/60Hz) | 20A Automatic |
| Hydraulic System | 4.0 L |

JLG Model 1230ES



¹ Capacity - 1 person + tools and equipment up to maximum 230 kg.
² Certain options or country standards may increase weight and/or dimensions.

