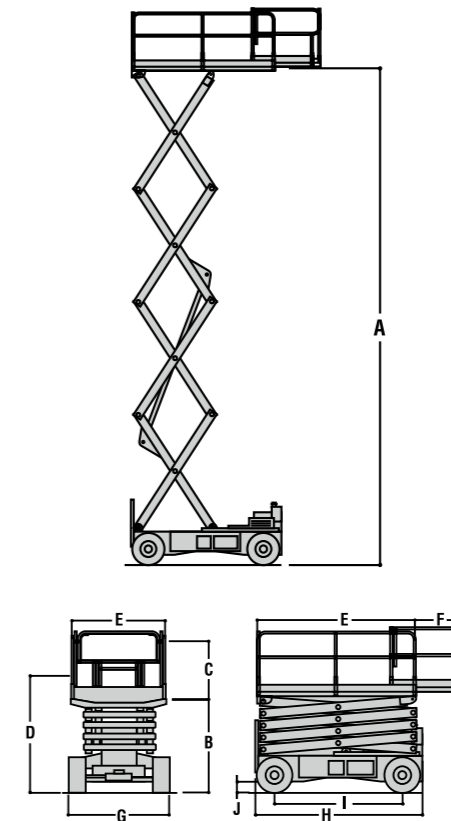
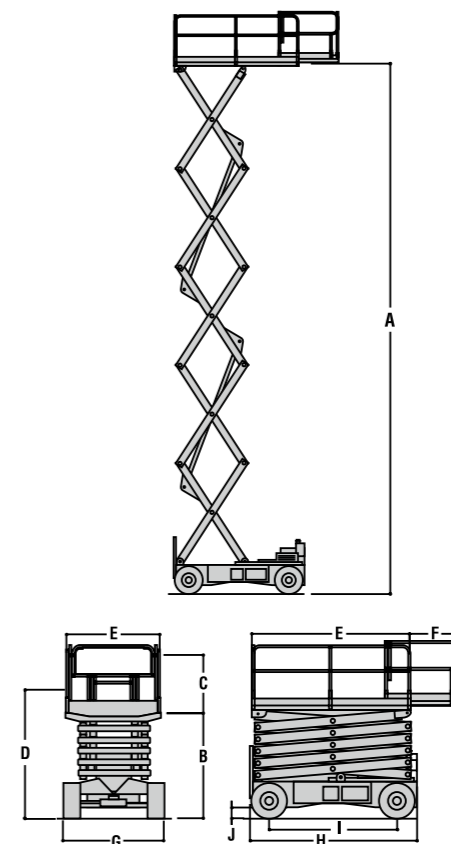


	3369LE	M3369	4069LE	M4069
Working Height	12.06 m	12.06 m	14.19 m	14.19 m
A. Platform Height - Elevated	10.06 m	10.06 m	12.19 m	12.19 m
B. Platform Height - Lowered	1.69 m	1.69 m	1.73 m	1.73 m
C. Platform Railing Height	1.10 m	1.10 m	1.10 m	1.10 m
D. Stowed Height (Rails Folded)	1.98 m	1.98 m	2.04 m	2.04 m
E. Platform Size (W X L)	1.65 m x 2.92 m	1.65 m x 2.92 m	1.65 m x 2.92 m	1.65 m x 2.92 m
F. Deck Extension	0.91 m	0.91 m	0.91 m	0.91 m
G. Overall Width	1.75 m	1.75 m	1.75 m	1.75 m
H. Overall Length	3.07 m	3.07 m	3.07 m	3.07 m
I. Wheelbase	2.32 m	2.32 m	2.32 m	2.32 m
J. Ground Clearance	0.20 m	0.20 m	0.20 m	0.20 m
Platform Capacity	450 kg	450 kg	360 kg	360 kg
Capacity on Deck Extension	120 kg	120 kg	120 kg	120 kg
Lift/Lower Time	38/42 sec.	38/42 sec.	54/50 sec.	54/50 sec.
Maximum Drive Height	10.06 m	10.06 m	9.14 m	9.14 m
Machine weight ¹	4,600 kg	5,250 kg	5,300 kg	5,700 kg
Maximum Ground Bearing Pressure	4.0 kg/cm ²	4.0 kg/cm ²	4.3 kg/cm ²	4.3 kg/cm ²
Drive Speed - Lowered	4.8 km/h	4.8 km/h	4.8 km/h	4.8 km/h
Drive Speed - Elevated	0.8 km/h	0.8 km/h	0.8 km/h	0.8 km/h
Gradeability	35%	35%	35%	35%
Turning Radius - Inside	2.29 m	2.29 m	2.29 m	2.29 m
Turning Radius - Outside	4.88 m	4.88 m	4.88 m	4.88 m
Tyres (non-marking)	240/55-17.5	240/55-17.5	240/55-17.5	240/55-17.5
Brakes	Automatic Spring Applied		Automatic Spring Applied	
Drive Motors	Dual Electric Traction		Dual Electric Traction	
Hydraulic Pump Motor	Perm. Magnet	Perm. Magnet	Perm Magnet	Perm. Magnet
Batteries	8 x 6V 370A/hr	8 x 6V 370A/hr	8 x 6V 370A/hr	8 x 6V 370A/hr
Charger (120/240V - 50/60HZ)	20A SCR Automatic	20A SCR Automatic	20A SCR Automatic	20A SCR Automatic
Hydraulic Pump	Gear Pump	Gear Pump	Gear Pump	Gear Pump
Hydraulic System	32.0 L	32.0 L	32.0 L	32.0 L
Generator Set	—	Kubota OC60 Air-cooled 5 kW	—	Kubota OC60 Air-cooled 5 kW
Generator Fuel Tank	—	15.0 L	—	15.0 L

JLG Models 3369LE & M3369



JLG Models 4069LE & M4069



¹ Certain options or country standards may increase weight and/or dimensions.

