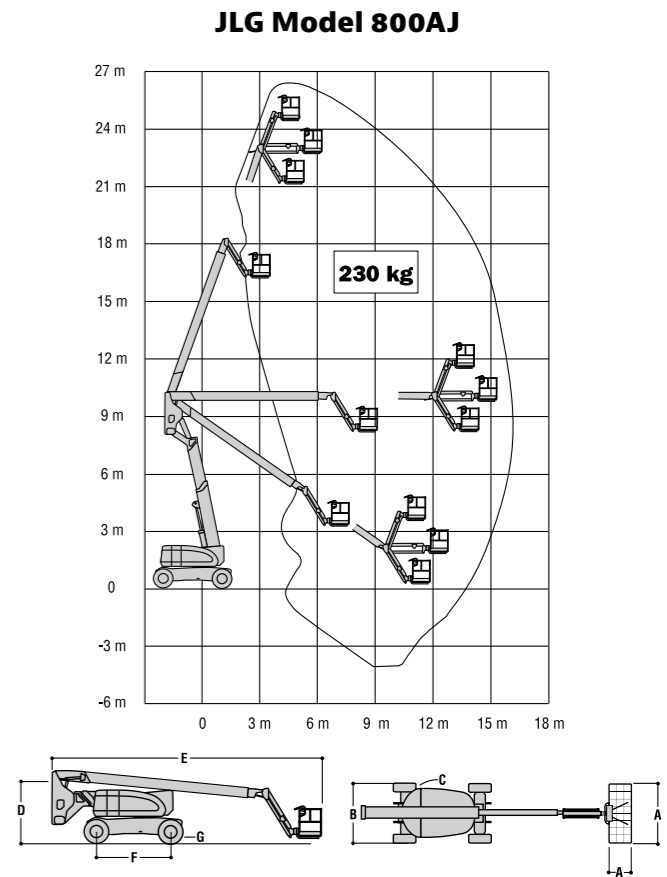
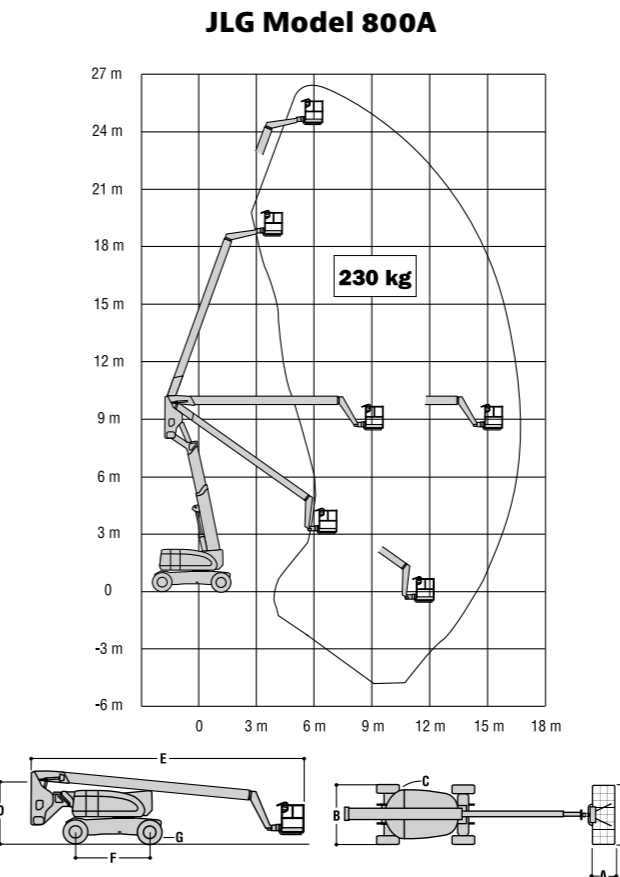
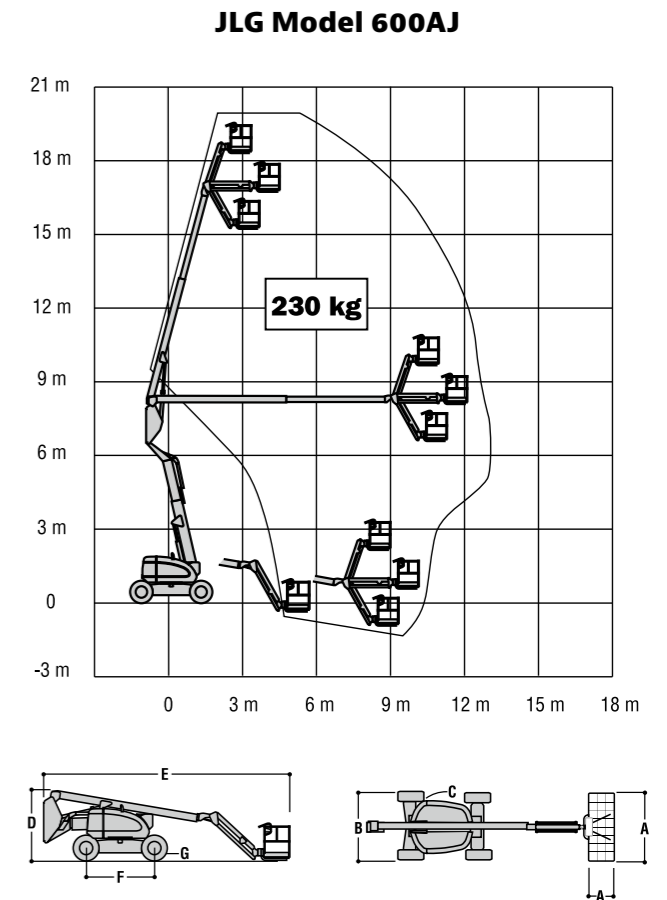
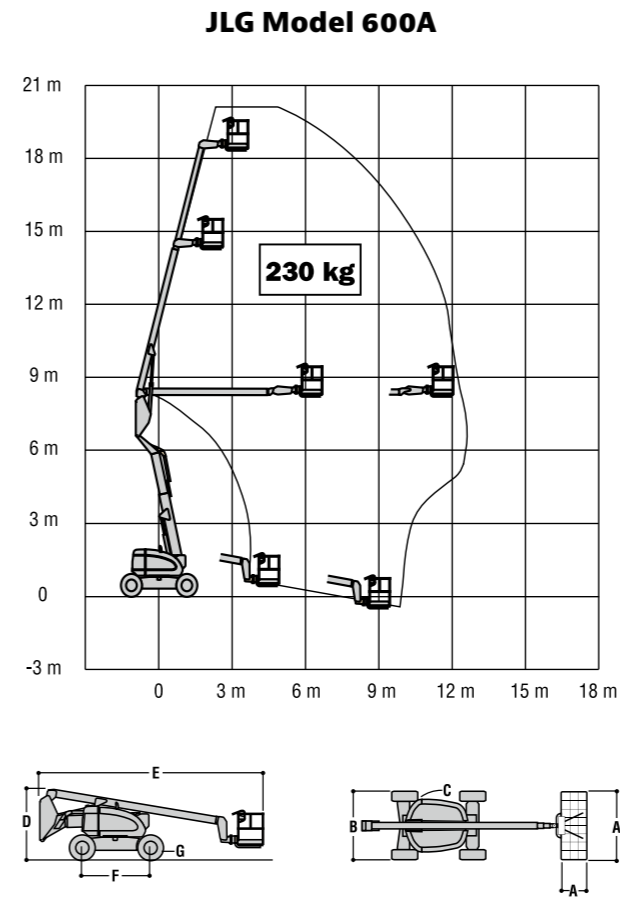


	600A	600AJ	600A narrow	800A	800AJ
Working Height	20.42 m	20.46 m	20.42 m	26.38 m	26.38 m
Platform Height	18.42 m	18.46 m	18.42 m	24.38 m	24.38 m
Horizontal Outreach	12.07 m	12.10 m	12.07 m	16.15 m	15.80 m
Working Outreach *	12.72 m*	12.75 m*	12.72 m*	16.80 m*	16.45 m*
Up and Over Height	8.09 m	8.09 m	8.09 m	9.78 m	9.78 m
Swing (Continuous)	360°	360°	360°	360°	360°
Platform Capacity - Unrestricted	230 kg	230 kg	230 kg	230 kg	230 kg
Platform Rotator (Hydraulic)	180°	180°	180°	180°	180°
Jib - Overall Length	—	1.83 m	—	—	1.83 m
Jib - Range of articulation	—	130° (+70° / -60°)	—	—	130° (+70° / -60°)
A. Platform Size	0.91 m x 1.83 m	0.91 m x 1.83 m	0.91 m x 1.83 m	0.91 m x 1.83 m	0.91 m x 1.83 m
B. Overall Width	2.49 m	2.49 m	2.13 m	2.49 m	2.49 m
C. Tailswing - working condition	Zero	Zero	0.13 m	0.76 m	0.76 m
D. Stowed Height	2.54 m	2.57 m	2.53 m	3.00 m	3.00 m
E. Stowed Length	8.10 m	8.82 m	8.10 m	11.25 m	11.13 m
F. Wheelbase	2.48 m	2.48 m	2.44 m	3.05 m	3.05 m
G. Ground Clearance	0.30 m	0.30 m	0.28 m	0.28 m	0.28 m
Machine weight ¹	10,160 kg	10,660 kg	10,840 kg	16,110 kg	16,110 kg
Maximum Ground Bearing Pressure	5.4 kg/cm ²	5.3 kg/cm ²	6.6 kg/cm ²	5.60 kg/cm ²	5.60 kg/cm ²
Drive Speed 2WD	6.8 km/h	6.8 km/h	6.8 km/h	4.8 km/h	4.8 km/h
Drive Speed 4WD	6.8 km/h	6.8 km/h	—	4.8 km/h	4.8 km/h
Gradeability 2WD	30%	30%	30%	30%	30%
Gradeability 4WD	45%	45%	—	45%	45%
Tyres	IN 355/55 D625 Foam Filled	IN 355/55 D625 Foam Filled	14 x 17.5 Solid Segmented	18 - 625 Foam Filled	18 - 625 Foam Filled
Axle Oscillation	0.20 m	0.20 m	—	0.20 m	0.20 m
Turning Radius - Inside 2WS	3.33 m	3.33 m	—	3.81 m	3.81 m
Turning Radius - Inside 4WS	1.40 m	1.40 m	1.56 m	1.83 m	1.83 m
Turning Radius - Outside 2WS	5.36 m	5.36 m	—	6.02 m	6.02 m
Turning Radius - Outside 4WS	2.95 m	2.95 m	3.60 m	3.53 m	3.53 m
Diesel Engine	Deutz D2011L04 36.4 kW	Deutz D2011L04 36.4 kW	Deutz D2011L04 36.4 kW	Deutz TD 2.9 L4 50 kW	Deutz TD 2.9 L4 50 kW
Fuel Tank Capacity	114 L	114 L	114 L	151 L	151 L
Hydraulic Reservoir	151 L	151 L	151 L	261 L	261 L
Auxiliary Power	12V DC	12V DC	12V DC	12V DC	12V DC



* Working outreach is horizontal outreach plus 65cm.
¹ Certain options or country standards may increase weight and/or dimensions.



EAZIACCESS RENTAL | SALES | SERVICE | TRAINING
 086 100 3294 | www.eazi.co.za