

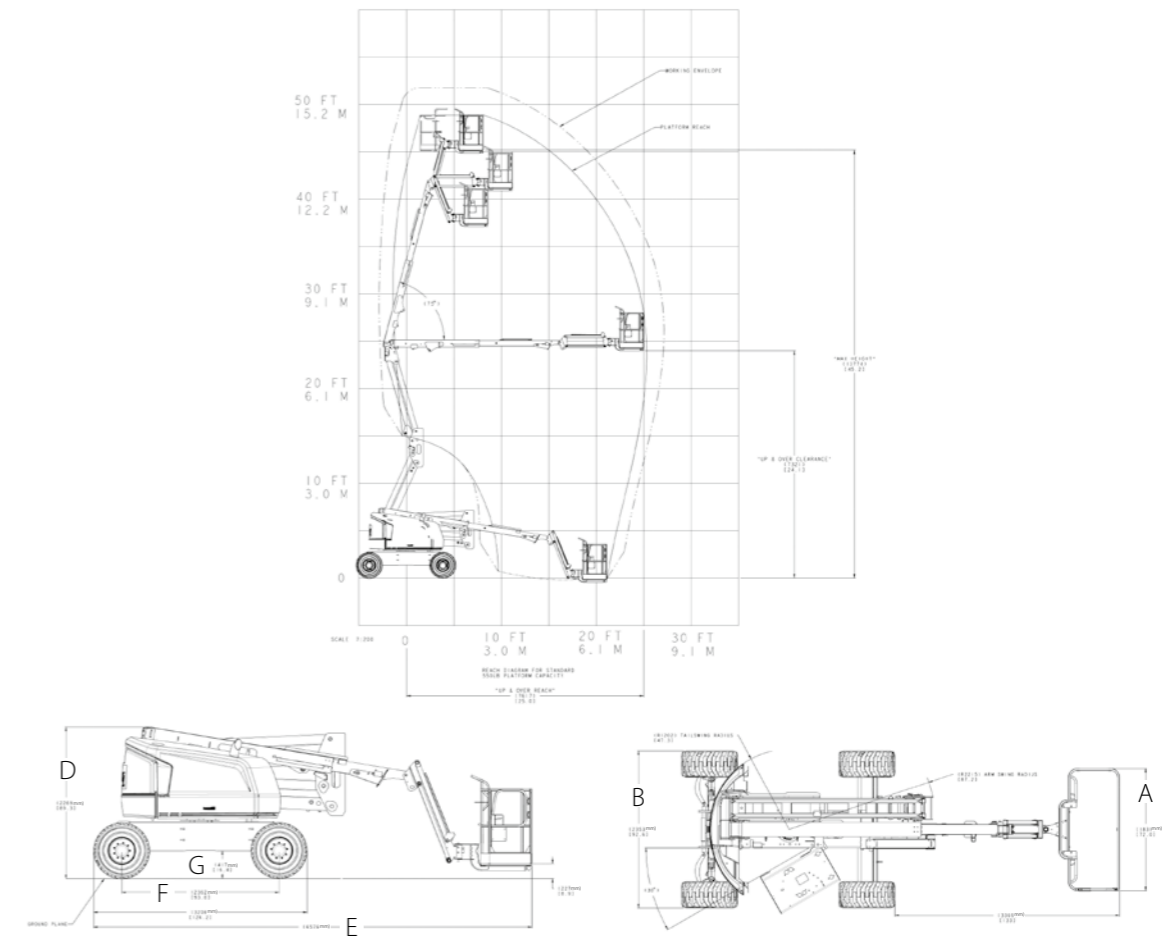
	450AJ	520AJ
Working Height	15.77 m	18.0 m
Platform Height	13.72 m	16.0 m
Horizontal Outreach	7.62 m	10.0 m
Working Outreach *	8.27 m*	10.65 m*
Up and Over Height	7.30 m	7.30 m
Swing (non continuous)	355°	355°
Platform Capacity - Unrestricted	250 kg	250 kg
Platform Rotator (Hydraulic)	180°	180°
Jib - Overall Length	1.24 m	1.24 m
Jib - Range of articulation	145° (+76°/ -69°)	145° (+76°/ -69°)
A. Platform Size	0.76 m x 1.83 m	0.76 m x 1.83 m
B. Overall Width	2.35 m	2.35 m
C. Tailswing (working condition)	Zero	Zero
D. Stowed Height	2.27 m	2.27 m
E. Stowed Length	6.58 m	7.77 m
F. Wheelbase	2.36 m	2.36 m
G. Ground Clearance	0.42 m	0.42 m
Machine weight ¹	6,495 kg	7,985 kg
Maximum Ground Bearing Pressure	4.0 kg/cm ²	6.6 kg/cm ²
Drive Speed 4WD	6.8 km/h	6.8 km/h
Gradeability 4WD	45%	45%
Tyres (Foam Filled)	33/1550 x 16.5	33/1550 x 16.5
Axle Oscillation	0.10 m	0.10 m
Turning Radius - Inside	2.06 m	2.06 m
Turning Radius - Outside	4.78 m	4.78 m
Diesel Engine Deutz D2.3 L3	36.4 kW	36.4 kW
Fuel Tank Capacity	60.5 L	60.5 L
Hydraulic System	144 L	144 L
Auxiliary Power	12V DC	12V DC



* Working outreach is horizontal outreach plus 65cm.
¹ Certain options or country standards may increase weight and/or dimensions.



JLG Model 450AJ



JLG Model 520AJ

