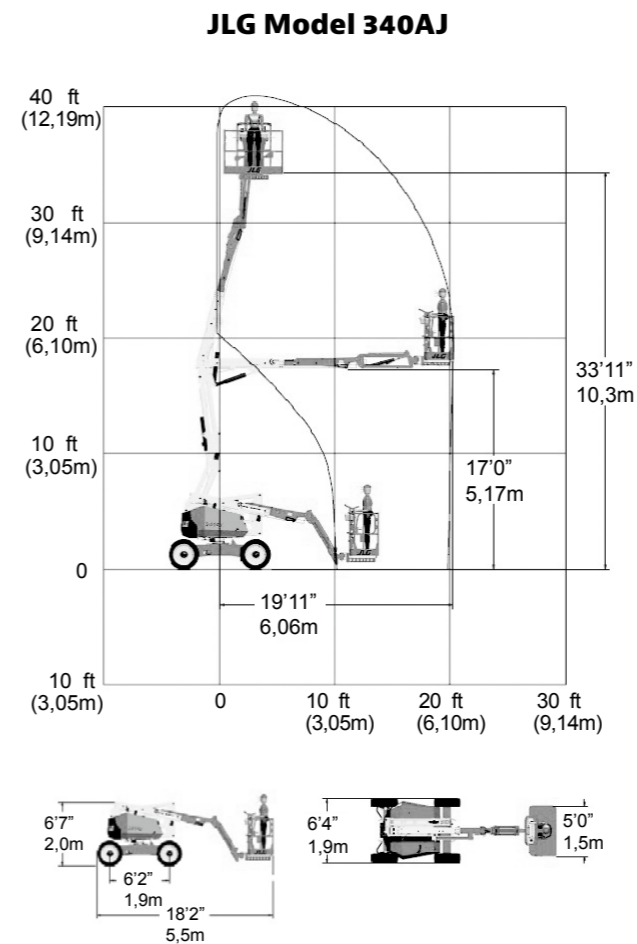


	340AJ
Working Height	12.33 m
Platform Height	10.33 m
Horizontal Outreach	6.06 m
Working Outreach *	6.71 m*
Up and Over Height	5.17 m
Swing (non continuous)	355°
Platform Capacity - Unrestricted	230 kg
Platform Rotator (Hydraulic)	180°
Jib - Overall Length	1.22 m
Jib - Range of articulation	139° (+79°/-60°)
A. Platform Size	0.76 m x 1.52 m
B. Overall Width	1.93 m
C. Tailswing (working condition)	5 cm
D. Stowed Height	2.00 m
E. Stowed Length	5.52 m ²
F. Wheelbase	1.87 m
G. Ground Clearance	0.24 m
Machine weight ¹	4,450 kg
Maximum Ground Bearing Pressure	4.6 kg/cm ²
Drive Speed 4WD	5 km/h
Gradeability 4WD	45%
Tyres (Foam Filled)	9 x 20
Axle Oscillation	0.15 m
Turning Radius - Inside	1.52 m
Turning Radius - Outside	3.96 m
Diesel Engine	Kubota D1105 18.5 kW
Fuel Tank Capacity	49 L
Hydraulic System	106 L
Auxiliary Power	12V DC



* Working outreach is horizontal outreach plus 65cm.
¹ Certain options or country standards may increase weight and/or dimensions.
² May be reduced to 3.98 m for storage / transport.
³ Optional.

